



IMER[®]
CONCRETE
BATCHING PLANT SOLUTIONS

Le Officine Riunite - Udine S.p.A.

Via Santa Caterina, 35 | 33030 Basaldella di Campoformido (UD) – Italy

Tel. +39 0432 563911 | Fax +39 0432 562131

oru@oru.it | www.oru.it | www.imergroup.com

SPARE PARTS CATALOG



BOOSTER 50

YEAR 2024

SERIAL N°BP0005

BOOSTER 50 SERIAL N

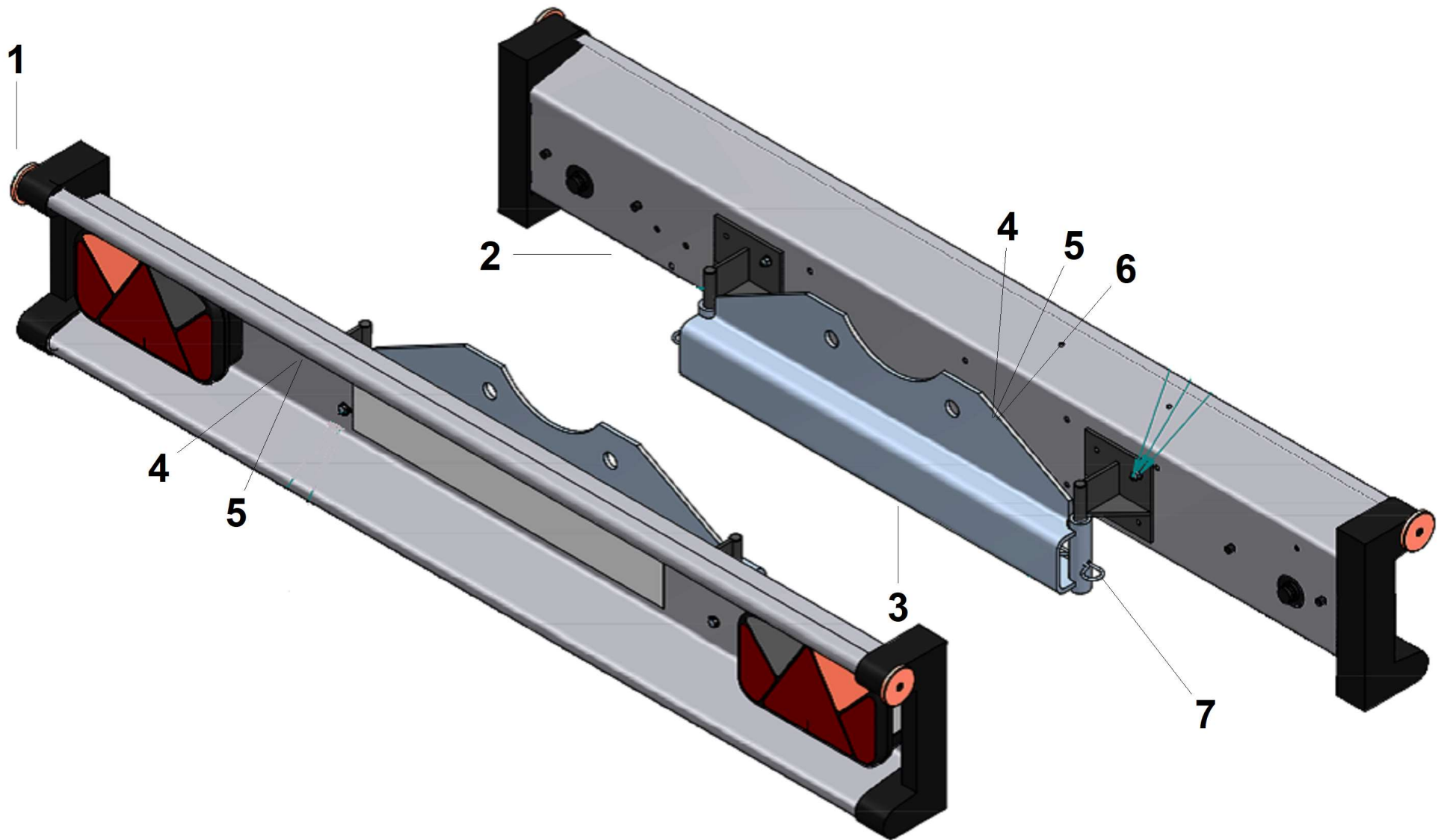
BP0005



JOB ORDER BOOSTER

INDEX	GB	I	INDICE
Pg	Description	Descrizione	
4	JOB ORDER BOOSTER	COMMESSA BOOSTER	
6	LIGHT BAR	BARRA LUCI	
8	OIL SYSTEM PUMP WAGON 50 - WITH PUMP 190	IMPIANTO OLIO POMPA CARRO 50 - CON POMPA 190	
10	CONCRETE PUMP OIL SYSTEM ROD SIDE	IMPIANTO OLIO POMPA CALCESTRUZZO LATO STELO	
12	S-VALVE DN 180 - DN 150	VALVOLA A S DN 180 - DN 150	
14	EXCHANGER CIRCUIT OIL SYSTEM	IMPIANTO OLIO CIRCUITO SCAMBIATORE	
18	300 L OIL TANK FOR CONCRETE PUMP	SERBATOIO OLIO 300 L POMPA CALCESTRUZZO	
20	YANMAR 53KW STAGE5 ENGINE	MOTORE YANMAR 53KW STAGE5	
24	DRAIN WATER FROM THE TRAY	SCARICO ACQUA VASCHETTA	
26	CARTERATURA BOOSTER STAGE 5	CARTERATURA BOOSTER STAGE 5	
28	OUTPUT SIDE SUPPORT	SUPPORTO LATO USCITA	
30	S-SHAPED VALVE SHAFT SUPPORT	SUPPORTO ALBERO VALVOLA A S	
32	OUTLET FLANGE DN 150	FLANGIA USCITA DN 150	
34	PUMP CONVEYING CHAMBER	CAMERA DI CONVOGLIAMENTO POMPA	
36	LOWER PUMP CONVEYOR CLOSURE	CHIUSURA INFERIORE DI CONVOGLIAMENTO POMPA	
38	PUMPING GROUP	GRUPPO POMPANTE	

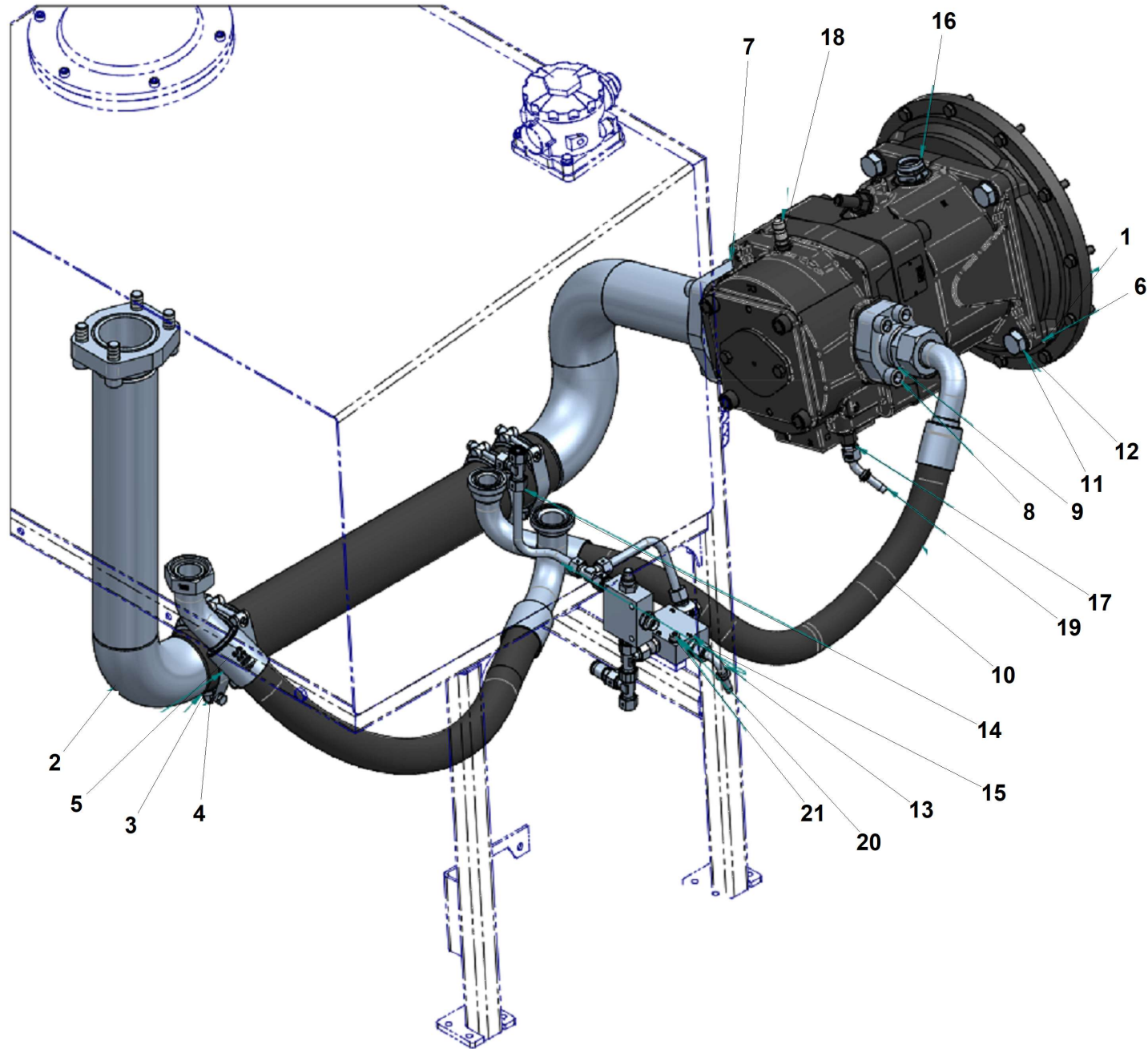
LIGHT BAR



LIGHT BAR

		GB		I
Rif.	Cod.	Description	N.	Descrizione
1	3223944	LIGHT BAR	1	BARRA LUCI
2	3227838	BOOSTER 15 PAINT LIGHT BAR SUPPORT	1	SUPP.BARRA LUCI BOOSTER 15 VERN.
3	0308006251	70Y BOOSTER LIGHT BAR SUPPORT	1	SUPP.BARRA LUCI BOOSTER 70Y
4	95001001	TE SCREW TF M6X20 UNI 5739-65 CL.8.8 FEZN	1	VITE TE TF M6X20 UNI 5739-65 CL.8.8 FEZN
5	68700860	BEVELLED WASHER 6.4X12.5 UNI 6592-69 R	1	ROSETTA BISELLATA 6,4X12,5 UNI 6592-69 R
6	18600804	NORMAL HEX NUT M6 UNI 5588-65 6S	1	DADO ESAGONALE NORMALE M6 UNI 5588-65 6S
7	49441647	PIN 5X40 UNI 1336 DIN 94 MB CM COP	1	COPIGLIA 5X40 UNI 1336 DIN 94 MB CM COP

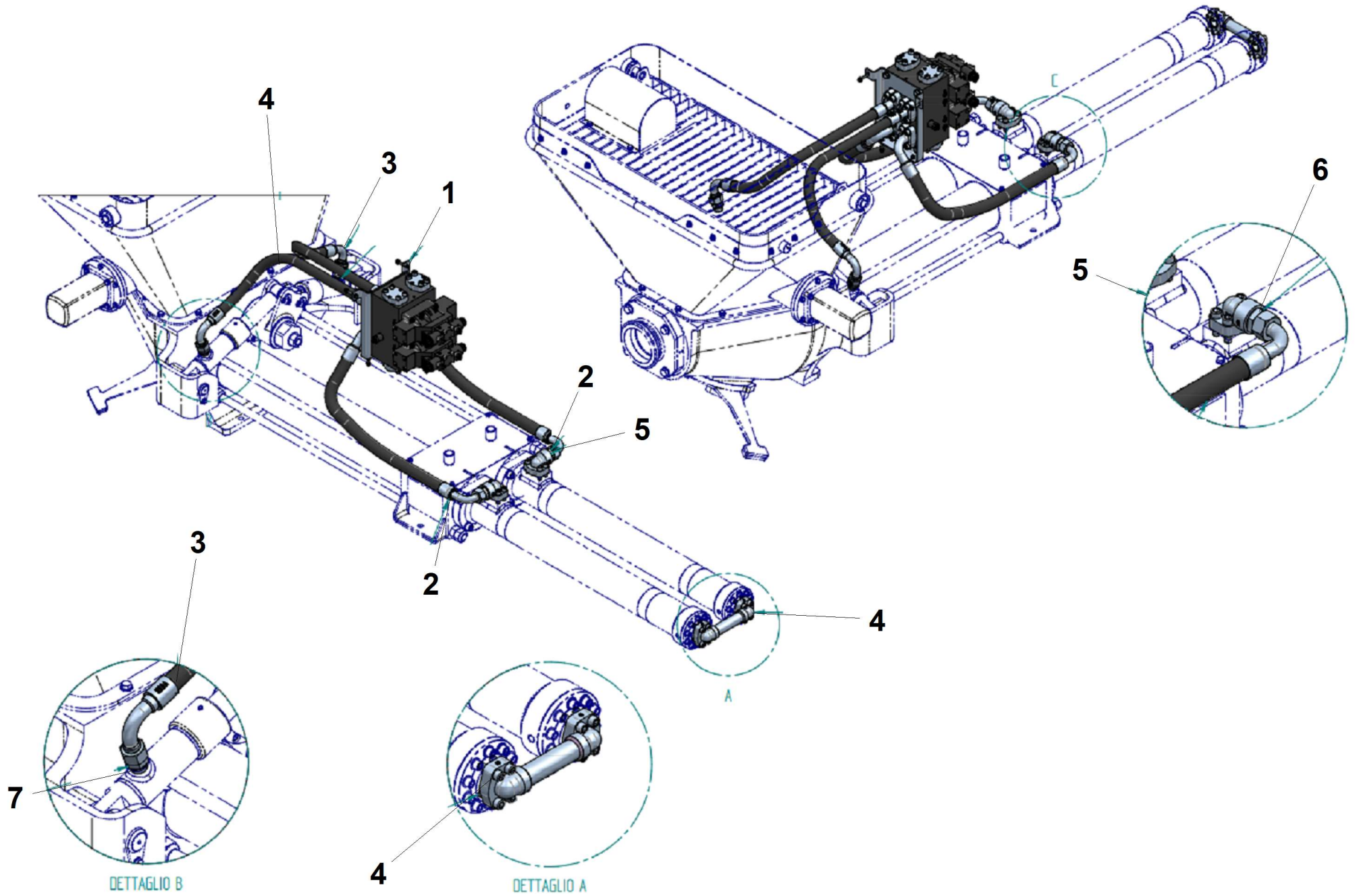
OIL SYSTEM PUMP WAGON 50 - WITH PUMP 190



OIL SYSTEM PUMP WAGON 50 - WITH PUMP 190

		GB		I
Rif.	Cod.	Description	N.	Descrizione
1	0150008300	SAE 4 PREPARATION FOR 10" FLYWHEEL - M	1	PREDISPOSIZIONE SAE 4 PER VOLANO 10" - M
2	0308007016	3" INTAKE MANIFOLD FOR 3" HOSE	1	COLLETTORE ASPIRAZIONE 3" PER TUBO 3"
3	0208007018	SUCTION HOSE DI=80 - SAE100 R4	1	TUBO ASPIRAZIONE DI=80 - SAE100 R4
4	010723000000	BI-BLOK HOSE CLAMP D=86-91 (CO	4	FASCETTA STRINGITUBO BI-BLOK D=86-91 (CO
5	0308007517	FLEXIBLE OIL HOSE 1"1/2 R1T Lg=900 CONNECTION 1	1	TUBO OLEO FLES. 1"1/2 R1T Lg=900 RACC. 1
6	015106604000	?81 / 5.000Risultati della traduzioneRisultato di traduzioneFLEXIBLE OIL HOSE 1" 4SH Lg=800 CONNECTION 1"1/HYD	1	POMPA IDRAULICA CIL.VAR. DANFOSS CIL 193
7	0308007017	INTAKE MANIFOLD 3"1/2 3" PIPE	1	COLLETTORE ASPIRAZIONE 3"1/ 2 TUBO 3"
8	010306062900	FLANGE IN. SAE6000 1" 1/2 + SCREWS + OR	1	FLANGIA FIL. SAE6000 1" 1/2 + VITI + OR
9	015501010900	STRAIGHT INTERMEDIATE CONNECTION TN 98 - 38 S	1	RACCORDO INTERMEDIO DIRITTO TN 98 - 38 S
10	0308007510	FLEXIBLE OIL HOSE 1"1/4 4SH Lg=1000 RACC 1	1	TUBO OLEO FLES. 1"1/4 4SH Lg=1000 RACC 1
11	68701550	BEVELLED WASHER 21X37 UNI 6592-69 R40	1	ROSETTA BISELLATA 21X37 UNI 6592-69 R40
12	95007100	TE SCREW TF M20X50 UNI 5739-65 CLASS 8.8	4	VITE TE TF M20X50 UNI 5739-65 CLASSE 8.8
13	0608007022	ASS. MONT. PUMP CONTROL VALVES	4	ASS. MONT. VALVOLE COMANDO POMPA
14	015501580000	ADJUSTABLE L-OR FITTING TN 421-12L F	1	RACCORDO ORIENTABILE A L OR TN 421-12L F
15	0208007024	12X2 SHAPED HYDRAULIC HOSE	1	TUBO OLEODINAMICO SAGOMATO 12X2
16	015501040300	STRAIGHT END FITTING TN 92GG - 28	1	RACCORDO ESTREMITA' DIRITTO TN 92GG - 28
17	015501630000	DIRECT END FITTING TN 92GG-12LM 1	1	RACOR DE EXTREMO DIRECTO TN 92GG-12LM 1
18	015538010700	MALE PRESSURE GAUGE SOCKET M12X1.5 WITH O-	1	PRESA MANOMETRICA MASCHIO M12X1.5 CON O-
19	0308007521	OLEO FLEX HOSE 3/8" R2T L=1050 CONNECTOR 45ø	1	TUBO OLEO FLES 3/8" R2T L=1050 RACC 45ø
20	68700901	BEVELLED WASHER 8.4X16 UNI 6592-69 R40	2	ROSETTA BISELLATA 8,4X16 UNI 6592-69 R40
21	010107080800	SCREW TCEI M8X40 UNI 5931 CL 8.8 GALVANIZED. FE	2	VITE TCEI M8X40 UNI 5931 CL 8.8 ZINC. FE

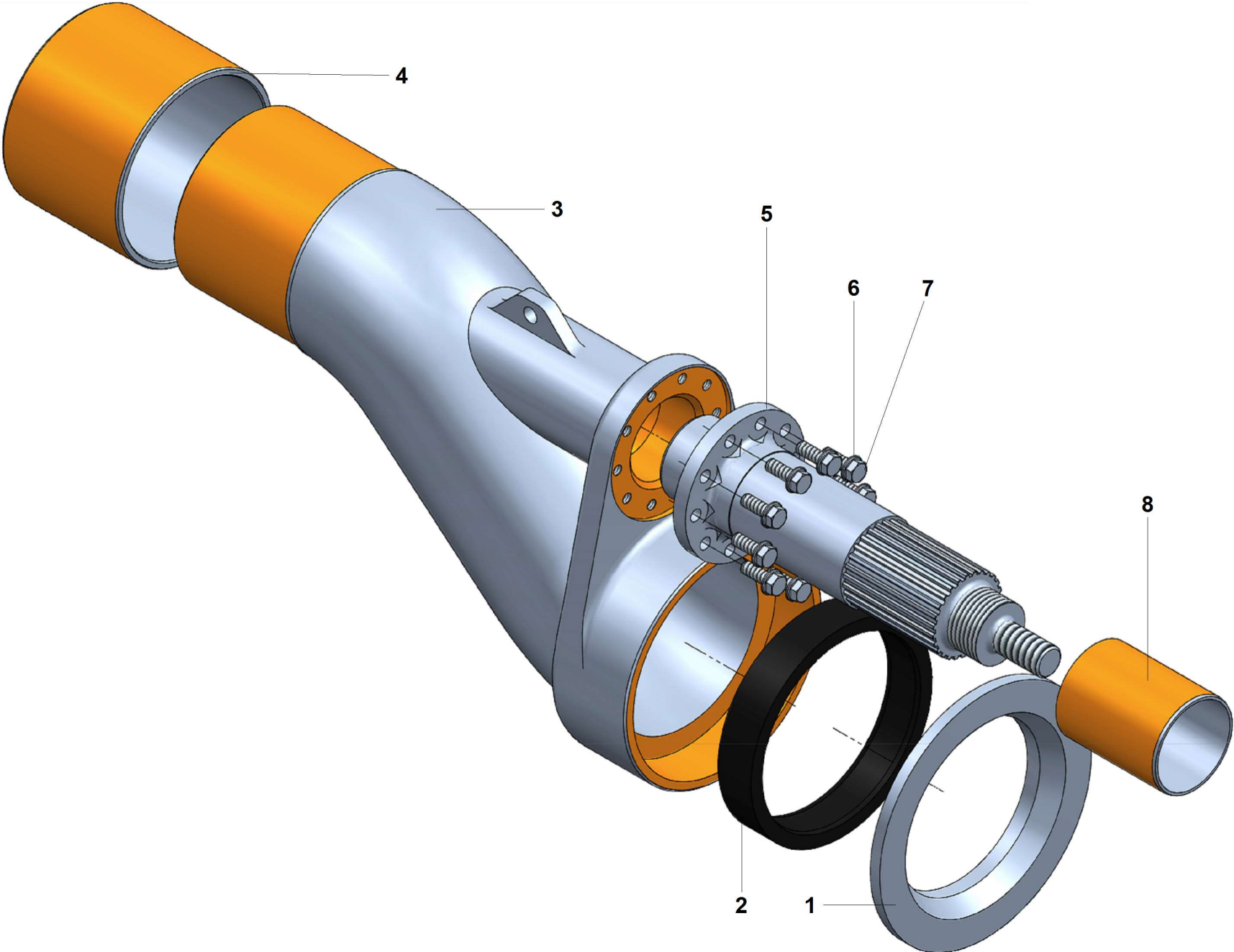
CONCRETE PUMP OIL SYSTEM ROD SIDE



CONCRETE PUMP OIL SYSTEM ROD SIDE

		GB		I
Rif.	Cod.	Description	N.	Descrizione
1	52215044	THREADED FLANGE 90° SAE6000 1" 1/4 + V	2	FLANGIA FILETTATA 90° SAE6000 1" 1/4 + V
2	0608007005	ASS. MONT. LOGICAL BLOCK	1	ASS. MONT. BLOCCO LOGICO
3	0308007505	TUBE OIL TEAR. 1" 4SH Lg=800 RACC. 1"1/	2	TUBO OLEO FLES. 1" 4SH Lg=800 RACC. 1"1/
4	0308007504	TUBE OIL TEAR. 1"1/4 4SH Lg=X00 RACC1" 1/4 SAE6000 90°/30S 90°	2	TUBO OLEO FLES. 1"1/4 4SH Lg=X00 RACC1" 1/4 SAE6000 90°/30S 90°
5	0308007015	SLAVE HOSE 1"1/4 SAE 6000 BOOSTER	1	TUBO SCHIAVO 1"1/4 SAE 6000 BOOSTER
6	01550144000	END FITTING TN 92 GG - 30 SR	2	RACCORDO DI ESTREMITA' TN 92 GG - 30 SR
7	015501380000	END FITTING TN 92GG-25SR (25S	2	RACCORDO DI ESTREMITA' TN 92GG-25SR (25S

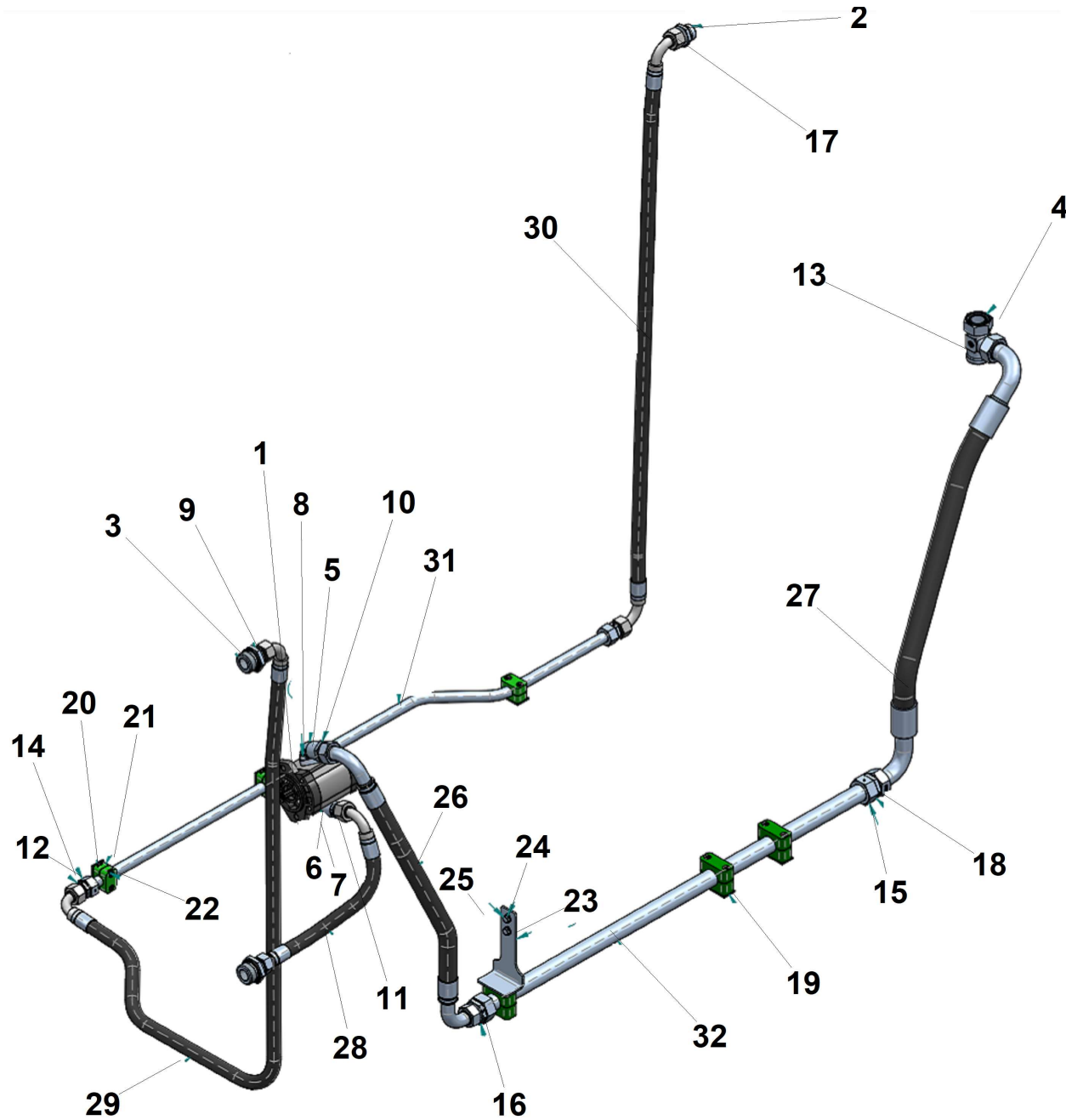
S-VALVE DN 180 - DN 150



S-VALVE DN 180 - DN 150

		GB		I
Rif.	Cod.	Description	N.	Descrizione
1	026900011300	SCP. WEAR AN	1	AN.D'USURA SCP
2	026900011100	VOLTAGE AN. 55 SHORE INPUT SIDE DE=	1	AN.DI TENSIONE 55 SHORE LATO ENTRATA DE=
3	0208001001	S-VALVE MACHINED, ANTI-RUST PAINTED	1	VALVOLA A S LAVORATA VERNICIATA ANTIRUGG
4	0208001003	CHROME BUSH DE=195 L=140	1	BOCCOLA CROMATA DE=195 L=140
5	0208001005	SPLINED SHAFT S-VALVE	1	ALBERO SCANALATO VALVOLA A S
6	68701101	BEVELLED WASHER 13X24 UNI 6592-6R40 FE	10	ROSETTA BISELLATA 13X24 UNI 6592-6R40 FE
7	010101121550	TE SCREW TF M12X35 UNI 5739 12.9	10	VITE TE TF M12X35 UNI 5739 12.9
8	0208001007	CHROME BUSH DE=95 L=120	1	BOCCOLA CROMATA DE=95 L=120

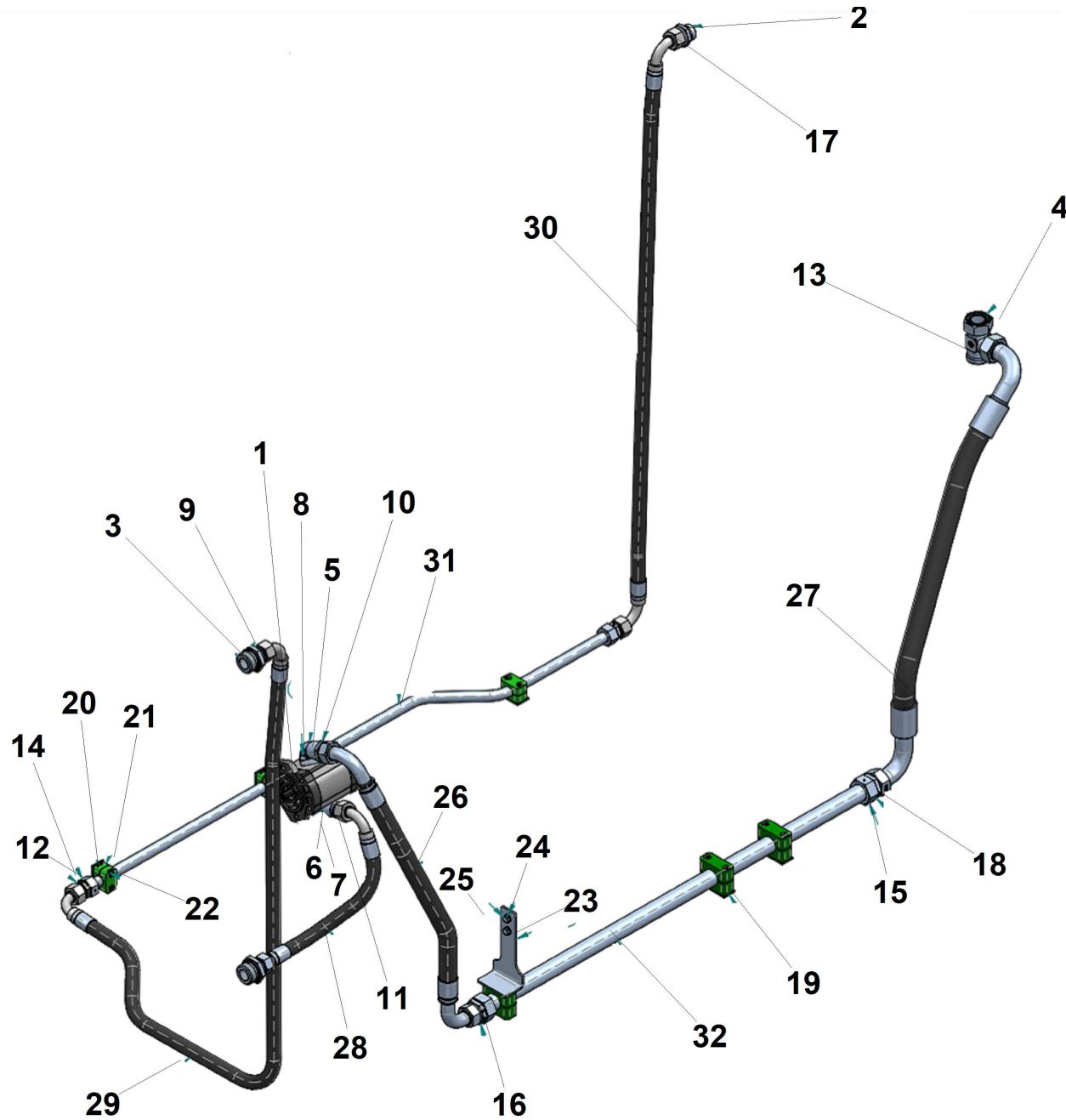
EXCHANGER CIRCUIT OIL SYSTEM



EXCHANGER CIRCUIT OIL SYSTEM

		GB		I
Rif.	Cod.	Description	N.	Descrizione
1	015116330000	INPUT PUMP WITH SAE DISPLACEMENT ATTACK	1	POMPA INGR.X CON ATT.IN SAEA CILINDRATA
2	015501040020	END FITTING TN 92 GG-22 LR 1"	1	RACCORDO ESTREMITA' TN 92 GG-22 LR 1"
3	015501580220	ADJUSTABLE L-OR FITTING TN 421 - 35L	2	RACCORDO ORIENTABILE A L OR TN 421 - 35L
4	015501580220	ADJUSTABLE L-OR FITTING TN 421 - 35L	1	RACCORDO ORIENTABILE A L OR TN 421 - 35L
5	1220286	PUMP CONNECTION AT 90 3/4" I=40 RPA 2/3	1	RACCORDO POMPA A 90 3/4" I=40 RPA 2/3
6	010104060400	TCEI SCREW M6X20 UNI 5931 CLASS 8.8 FEZN	1	VITE TCEI M6X20 UNI 5931 CLASSE 8.8 FEZN
7	1220284	PUMP CONNECTION 90 1/2" I30 1RG12C	1	RACCORDO POMPA A 90 1/2" I30 1RG12C
8	94703200	SCREW TCEI TF M8X25 UNI 5931 CLASS 8.8 F	1	VITE TCEI TF M8X25 UNI 5931 CLASSE 8.8 F
9	015501040000	END FITTING TN 92 GG - 22 LR	1	RACCORDO DI ESTREMITA' TN 92 GG - 22 LR
10	015501040250	STRAIGHT END FITTING TN 92GG - 28	1	RACCORDO ESTREMITA' DIRITTO TN 92GG - 28
11	015501040100	END FITTING TN 92 GG - 22 LR	1	RACCORDO DI ESTREMITA' TN 92 GG - 22 LR
12	015501180000	INTERMEDIATE STRAIGHT FITTING TN 98 - 22LS	1	RACCORDO INTERMEDIO DIRITTO TN 98 - 22LS
13	015516010500	OGIVE FOR NUT 22 L (M30X2) FOR OLE PIPE	1	OGIVA PER DADO 22 L (M30X2) PER TUBO OLE
14	015516000500	NUT 22 L (M30X2) FOR HYDRAULIC HOSE	1	DADO 22 L (M30X2) PER TUBO OLEODINAMICO
15	015516000750	NUT 35 L (M45X2) TN 81 - 35 L	1	DADO 35 L (M45X2) TN 81 - 35 L
16	015501013100	COLLECT. INTERMEDIATE DIR. RID. TN 98R 35/28L	1	RACC. INTERMEDIO DIR. RID. TN 98R 35/28L
17	015516010750	OGIVE FOR NUT 35 L (M45X2) TN 88 - 35 L	1	OGIVA PER DADO 35 L (M45X2) TN 88 - 35 L
18	015501013000	INTERMEDIATE STRAIGHT CONNECTION TN 98 - 35L	1	RACCORDO INTERMEDIO DIRITTO TN 98 - 35L
19	015502091000	COMPLETE PIPE FIXING CONNECTION D=35	1	COLL.COMPLETO FISSAGGIO TUBO D=35
20	015502300700	SINGLE WELDED PLATE GR 3 SERIES (STAUF	1	PIASTRA SINGOLA A SALD.GR 3 SERIE (STAUF
21	015502240000	PIPE FIXING COLL. 3 322 PP (STAUFF D=2	1	COLL.FISSAGGIO TUBO 3 322 PP (STAUFF D=2
22	94701851	SCREW TCEI TF M6X25 UNI 5931 CLASS 8.8 F	1	VITE TCEI TF M6X25 UNI 5931 CLASSE 8.8 F
23	0208007020	LAM.SP. 4 FOLDED SUPPORT COLL.STAUFF	1	LAM.SP. 4 PIEGATA SUPP.COLL.STAUFF
24	68700901	BEVELLED WASHER 8.4X16 UNI 6592-69 R40	1	ROSETTA BISELLATA 8,4X16 UNI 6592-69 R40
25	95001501	TE SCREW TF M8X16 UNI 5739-65 CLASS 8.8	1	VITE TE TF M8X16 UNI 5739-65 CLASSE 8.8
26	0308007511	OLEO FLEX HOSE 1" R1T L=600 RACC 28L 90°	1	TUBO OLEO FLES 1" R1T L=600 RACC 28L 90°

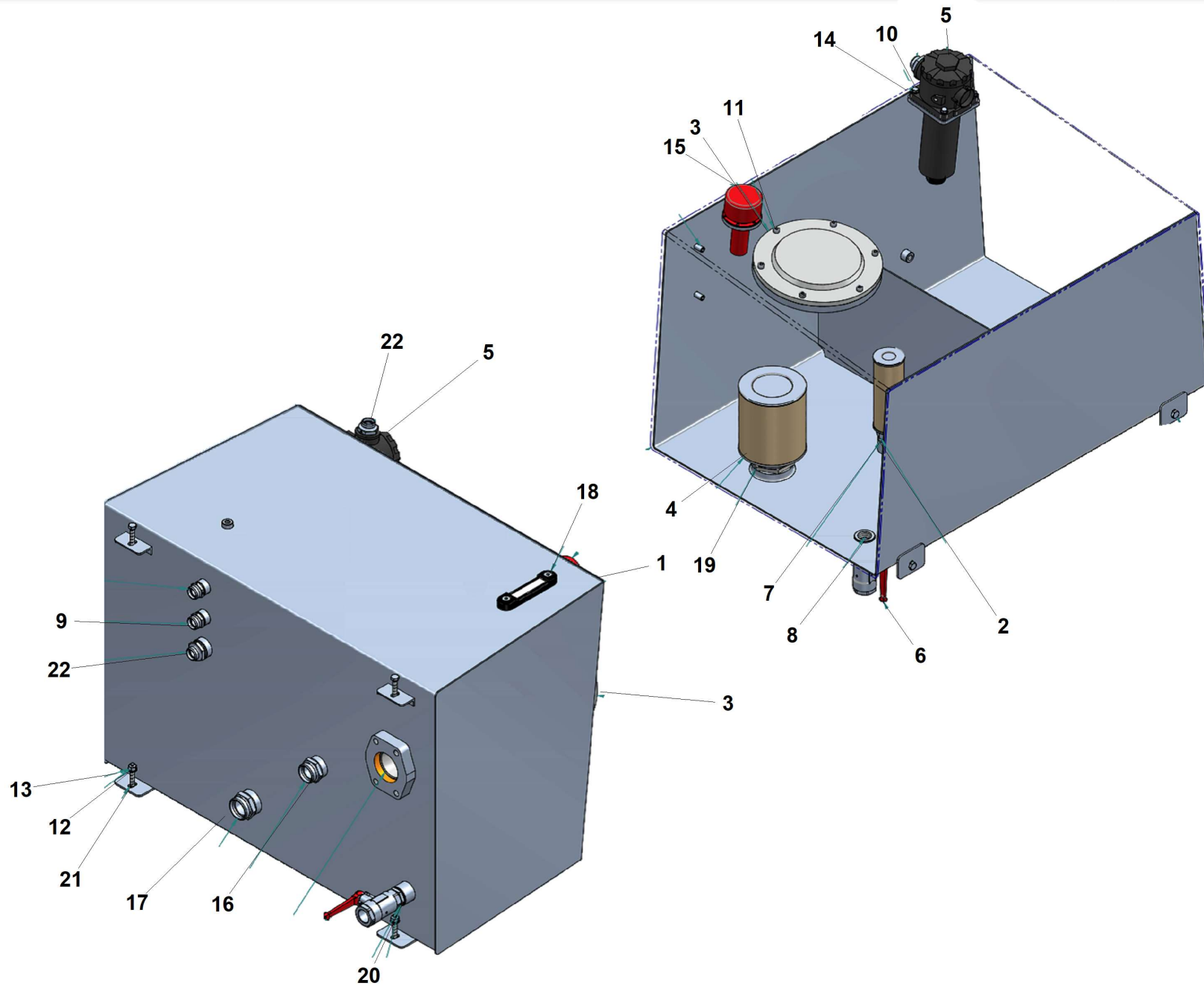
EXCHANGER CIRCUIT OIL SYSTEM



EXCHANGER CIRCUIT OIL SYSTEM

		GB		I
Rif.	Cod.	Description	N.	Descrizione
27	0308007512	OLEO FLEX HOSE 1" 1/4 R1T L=2700 RACC 35	1	TUBO OLEO FLES 1" 1/4 R1T L=2700 RACC 35
28	0308007514	OLEO FLEX HOSE 3/4" R1T L=400 RACC 22L D	1	TUBO OLEO FLES 3/4" R1T L=400 RACC 22L D
29	0308007515	FLEXIBLE OIL HOSE 3/4" R1T L=1750 REPLACEMENT 22L	1	TUBO OLEO FLES 3/4" R1T L=1750 RACC 22L
30	0308007516	FLEXIBLE OIL HOSE 3/4" R1T L=1350 22L	1	TUBO OLEO FLES 3/4" R1T L=1350 RACC 22L
31	0208007021	SHAPED HYDRAULIC HOSE D22X2	1	TUBO OLEODINAMICO SAGOMATO D22X2
32	000558135000		1	

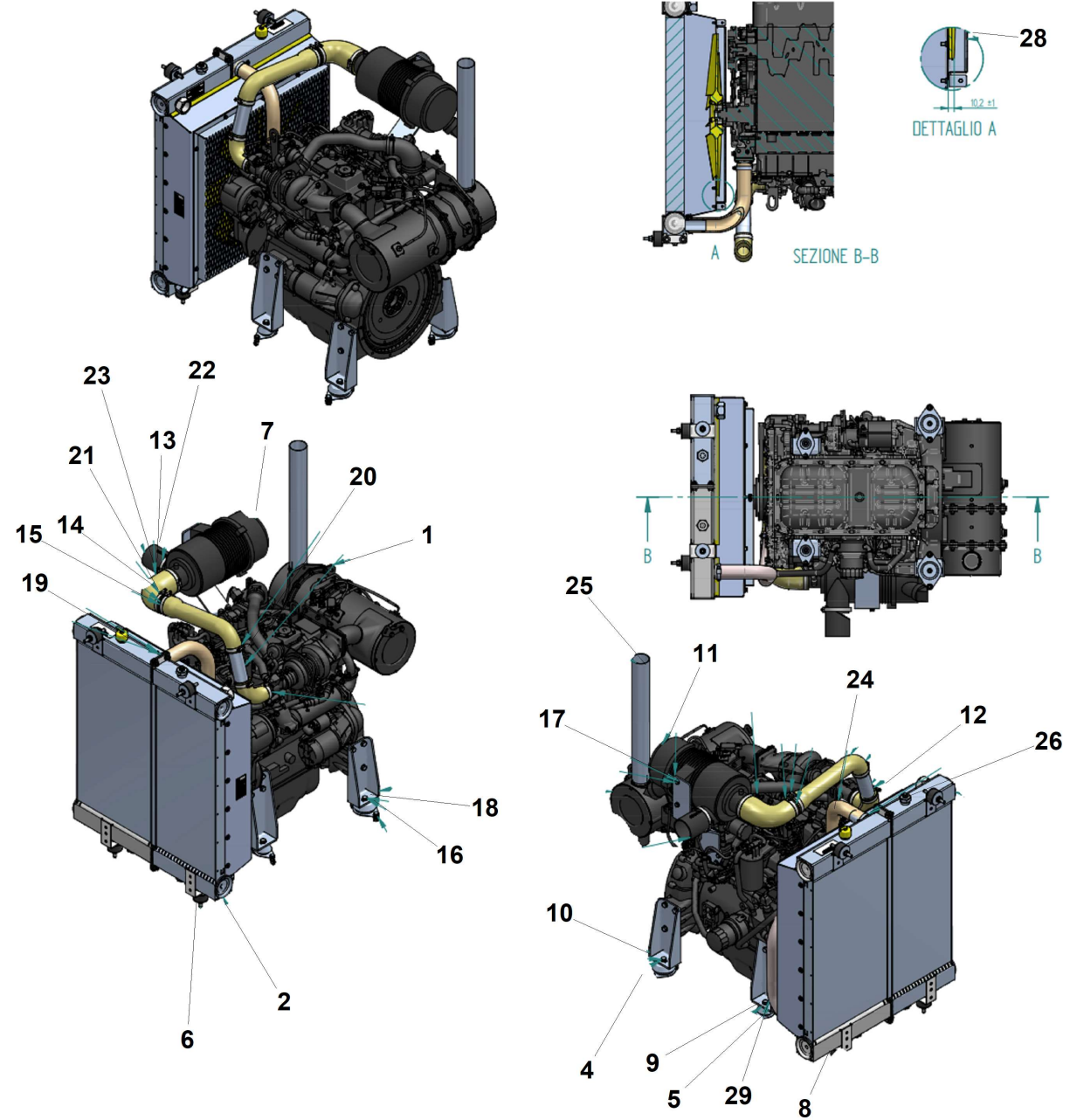
300 L OIL TANK FOR CONCRETE PUMP



300 L OIL TANK FOR CONCRETE PUMP

		GB		I
Rif.	Cod.	Description	N.	Descrizione
1	0308007110	OIL TANK 300L CONCRETE PUMP	1	SERB.OLIO 300L POMPA CLS
2	014710102000	SUCTION FILTER 1"1/4 - 100 MICRON	1	FILTRO ASPIRAZIONE 1"1/4 - 100 MICRON
3	09601252	INSPECTION DOOR FOR HYDRAULIC TANKS	1	OBLO DI ISPEZIONE PER SERBATOI OLEODINAM
4	014710101000	SUCTION FILTER 2"1/2 - 100 MICRON	1	FILTRO ASPIRAZIONE 2"1/2 - 100 MICRON
5	014710041000	BOOSTER RETURN LINE FILTER	1	FILTRO LINEA RITORNO BOOSTER
6	91700500	1"FF MERCURY BALL VALVE ART.401	1	VALVOLA A SFERA MERCURY DA 1"FF ART.401
7	64503044	OIL NIPPLE MM 1"1/4-1"1/4 COD.45000189N	1	NIPPLO OLEO MM 1"1/4-1"1/4 COD.45000189N
8	64503033	OIL NIPPLE MM 1"-1" COD.45000179N COD.3	1	NIPPLO OLEO MM 1"-1" COD.45000179N COD.3
9	015501040000	END FITTING TN 92 GG - 22 LR	5	RACCORDO DI ESTREMITA' TN 92 GG - 22 LR
10	95001701	TE SCREW TF M8X25 UNI 5739-65 CLASS 8.8	4	VITE TE TF M8X25 UNI 5739-65 CLASSE 8.8
11	94703210	SCREW TCEI TF M8X25 UNI5931 CLASS 12.912	6	VITE TCEI TF M8X25 UNI5931 CLASSE 12.912
12	18601501	NORMAL HEX NUT M10 UNI 5588-65 6	4	DADO ESAGONALE NORMALE M10 UNI 5588-65 6
13	68701001	BEVELLED WASHER 10.5X21 UNI 6592-69 R4	4	ROSETTA BISELLATA 10,5X21 UNI 6592-69 R4
14	68700901	BEVELLED WASHER 8.4X16 UNI 6592-69 R40	4	ROSETTA BISELLATA 8,4X16 UNI 6592-69 R40
15	79801100	LOADING CAP MP FILTERS TA 80 (587978)	1	TAPPO CARICO MP FILTRI TA 80 (587978)
16	015501440200	END FITTING TN 92 GG - 35 LR	1	RACCORDO DI ESTREMITA' TN 92 GG - 35 LR
17	015501122500	STRAIGHT END FITTING TN92-42LR	1	RACCORDO DI ESTREMITA' DIRITTO TN92-42LR
18	014706010000	MP LEVEL THERMOMETER FILTERS LVP2TA COMP	1	TERMOMETRO LIVELLO MP FILTRI LVP2TA COMP
19	61701000	NIPPLE N8 MM 2"1/2 GAS UNI 5208-70 FIG.2	1	NIPPLO N8 MM 2"1/2 GAS UNI 5208-70 FIG.2
20	69000550	1" COPPER WASHER FOR HYDRAULIC 33.5	2	ROSETTA IN RAME 1" PER OLEODINAMICA 33,5
21	95003400	TE SCREW TF M10X60 UNI 5739-65 CLASS 8.8	4	VITE TE TF M10X60 UNI 5739-65 CLASSE 8.8
22	015501040020	END FITTING TN 92 GG-22 LR 1"	2	RACCORDO ESTREMITA' TN 92 GG-22 LR 1"

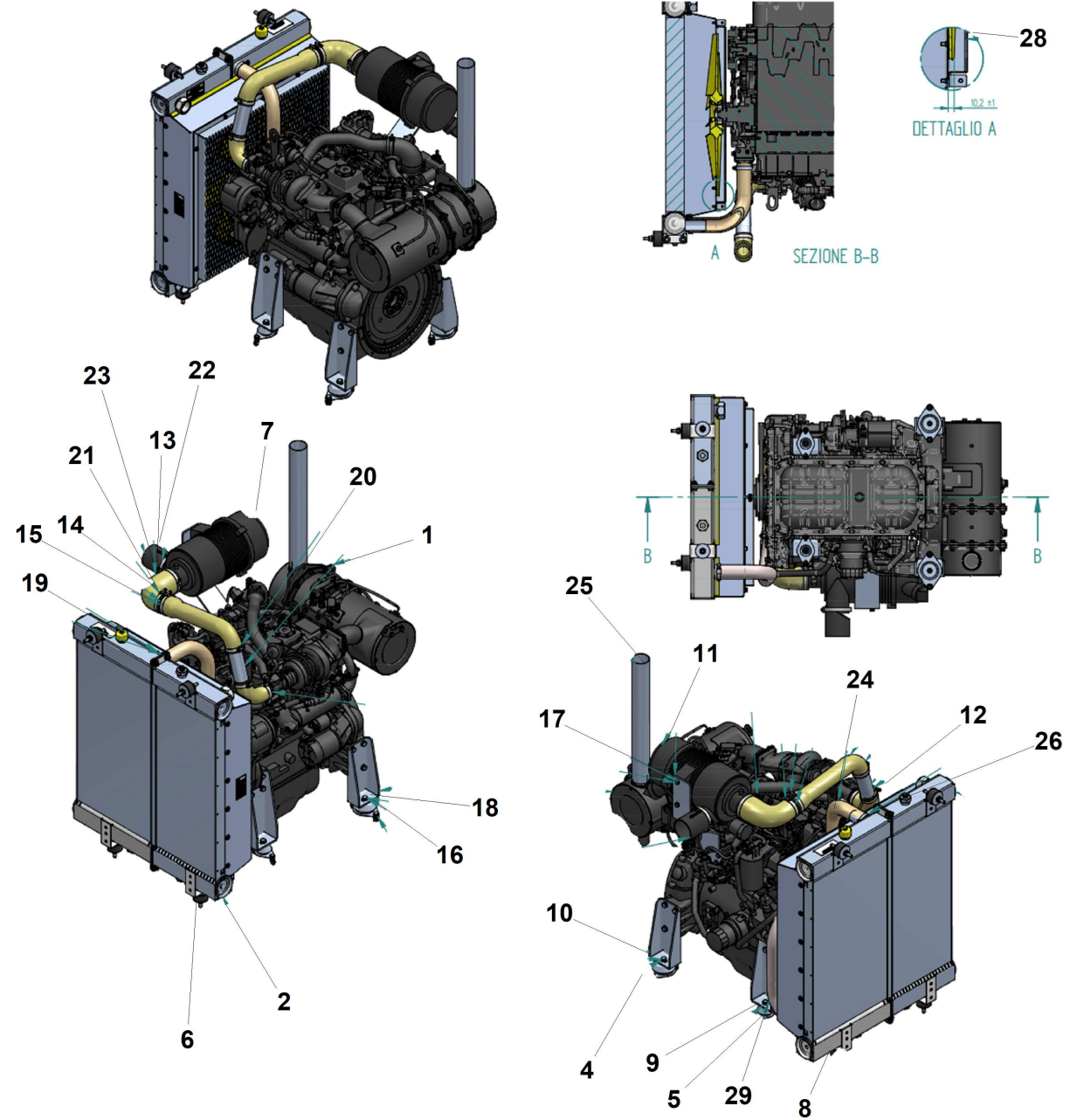
YANMAR 53KW STAGE5 ENGINE



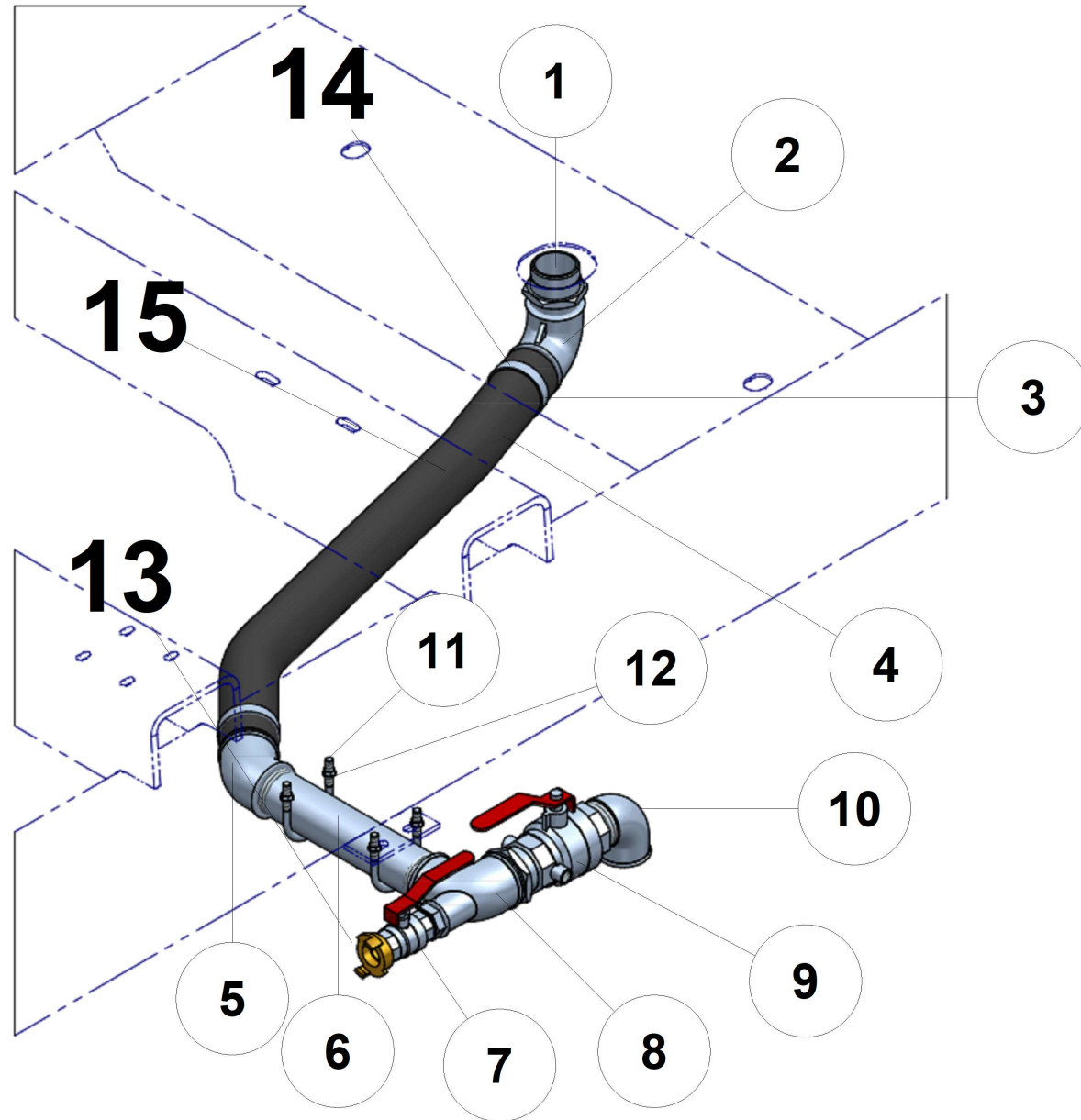
YANMAR 53KW STAGE5 ENGINE

		GB		I
Rif.	Cod.	Description	N.	Descrizione
1	015004001000	YANMAR 4 CYL ENGINE 53.7 KW@2500 RPM	1	MOTORE YANMAR 4 CIL. 53.7 KW@2500 G/MIN
2	015004001100	AKG WATER-OIL/AIR ENGINE EXCHANGER Y	1	SCAMBIATORE AKG ACQUA-OLIO/ARIA MOTORE Y
4	011119080950	CAMOANA CCF TYPE ANTI-VIBRATION DAMPER	1	ANTIVIBRANTE CAMOANA TIPO CCF
5	011119020951	BELL ANTI-VIBRATION TYPE CCF 60 CCF60	1	ANTIVIBRANTE A CAMPANA TIPO CCF 60 CCF60
6	011119020600	DOUBLE VIBRATION DAMPER 50X30 M10 L=34 SH=55	1	ANTIVIBRANTE DOPPIO 50X30 M10 L=34 SH=55
7	015004001011	FILT.ARIA MOT.YANMAR4TNV98-129935-12520E	1	FILT.ARIA MOT.YANMAR4TNV98-129935-12520E
8	0208008010	FRONT ENGINE SUPPORT BRACKET	1	STAFFA SUPP.MOTORE ANTERIORE
9	0208008011	REAR ENGINE SUPPORT BRACKET	1	STAFFA SUPP.MOTORE POSTERIORE
10	0208008005	LAM.SP. 6 AIR FILTER SUPPORT	1	LAM.SP. 6 SUPP.FILTRO ARIA
11	0208008006	48.3X2.9X150 STAINLESS STEEL EXTENSION PIPE	1	TUBO 48,3X2,9X150 INOX PROLUNGA CONDOTTA
12	0208008007	RADIATOR DELIVERY PIPE DE=50 DI=40	1	TUBO MANDATA RADIATORE DE=50 DI=40
13	0208008008	RADIATOR RETURN HOSE DE=48 DI=38	1	TUBO RITORNO RADIATORE DE=48 DI=38
14	18601501	NORMAL HEX NUT M10 UNI 5588-65 6	1	DADO ESAGONALE NORMALE M10 UNI 5588-65 6
15	68700901	BEVELLED WASHER 8.4X16 UNI 6592-69 R40	1	ROSETTA BISELLATA 8,4X16 UNI 6592-69 R40
16	68701001	BEVELLED WASHER 10.5X21 UNI 6592-69 R4	1	ROSETTA BISELLATA 10,5X21 UNI 6592-69 R4
17	95001701	TE SCREW TF M8X25 UNI 5739-65 CLASS 8.8	1	VITE TE TF M8X25 UNI 5739-65 CLASSE 8.8
18	95002901	TE SCREW TF M10X25 UNI 5739-65 CLASS 8.8	1	VITE TE TF M10X25 UNI 5739-65 CLASSE 8.8
19	010705000000	CLAMP 50-70	1	FASCETTA 50-70
20	010131100100	NUT ATB M10 DIN 980 CLASS 8	1	DADO ATB M10 DIN 980 CLASSE 8
21	010808000000	ANTIFREEZE TYPE ANTIFREEZE EXTRA SE20 REF	1	ANTIGELO TIPO ANTIFREEZE EXTRA SE20 RIFE
22	015004001200	INSULATING COVER FOR PART FILTER	1	COPERTURA ISOLANTE PER FILTRO ANTIPART.
23	010131080000	NUT ATB M8 DIN 980 ZN CLASS 8	1	DADO ATB M8 DIN 980 ZN CLASSE 8
24	0608008020	ASS. MONT. SC FAN PROTECTION GRILLE	1	ASS. MONT. GRIGLIA PROTEZIONE VENTOLA SC
25	0208008018	DRAIN HOSE D60 L=500 FOR TIER5	1	TUBO SCARICO D60 L= 500 PER TIER5
26	010705000000	CLAMP 50-70	2	FASCETTA 50-70
28	0763940	cover	1	coperchio

YANMAR 53KW STAGE5 ENGINE



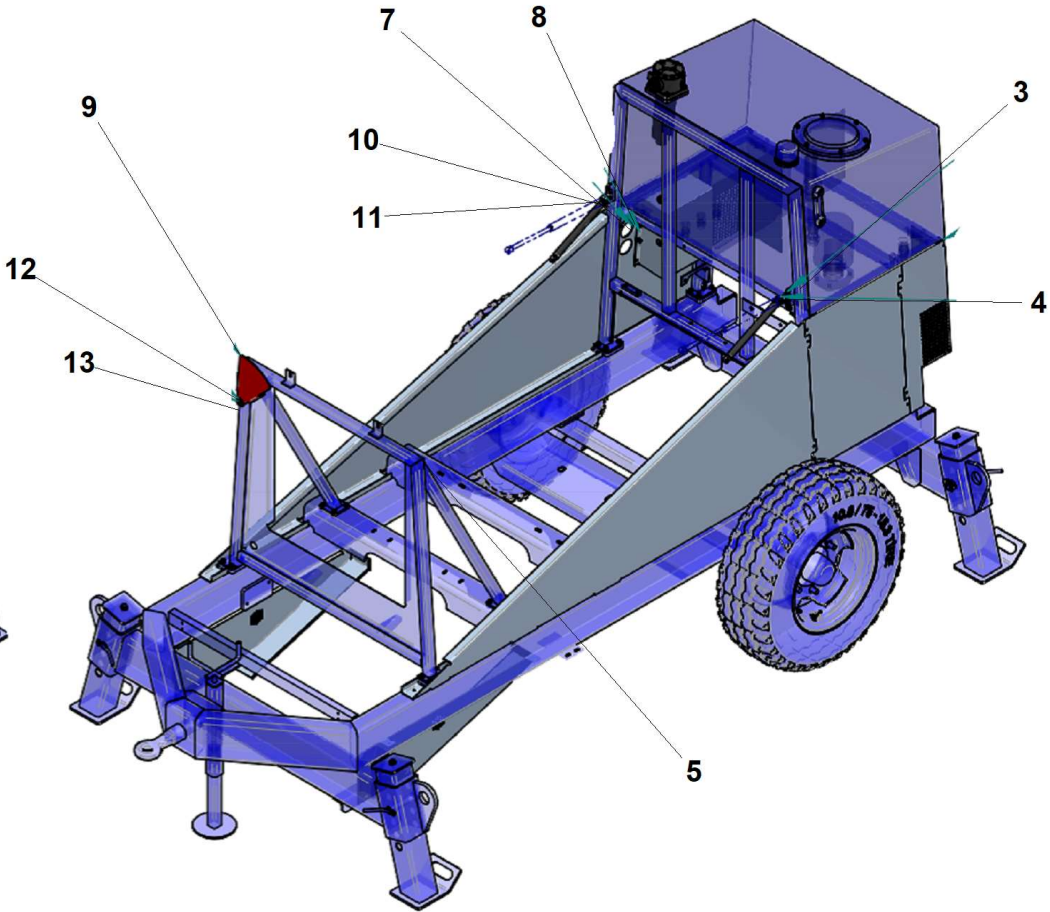
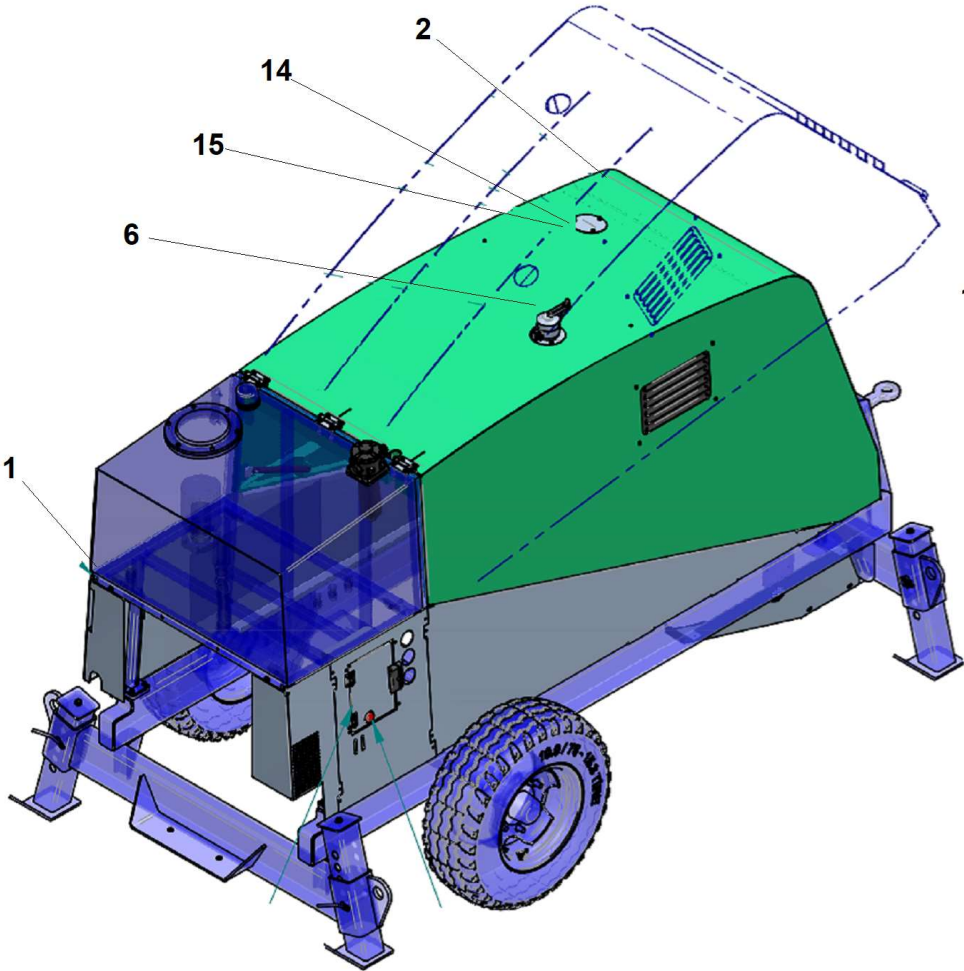
DRAIN WATER FROM THE TRAY



DRAIN WATER FROM THE TRAY

		GB		I
Rif.	Cod.	Description	N.	Descrizione
1	0208011010	PIPE D=48.3 L=250 THREADED 1"1/2 TRUNK	1	TUBO D=48.3 L=250 FILETTATO 1"1/2 TRONCO
2	61700801	NIPPLE N8 MM 1"1/2 GAS UNI 5208-70 ZINC.	2	NIPPLO N8 MM 1"1/2 GAS UNI 5208-70 ZINC.
3	60900920	ELBOW A1 FF 1"1/2 GAS UNI 5194-70 ZINC	1	GOMITO A1 FF 1"1/2 GAS UNI 5194-70 ZINCA
4	61151090	ELBOW A1/45ø FF 1"1/2 GAS UNI 5196-70 Z	1	GOMITO A1/45ø FF 1"1/2 GAS UNI 5196-70 Z
5	010303310000	HOSE PORT 1"1/2X100 THREADED IN STEEL	2	PORTAGOMMA 1"1/2X100 FILETTATO IN ACCIAI
6	A6441940	GALVANIZED SUPPORT COLL. 1"1/2 M8 PIPE	2	COLL.DI SOSTEGNO ZINC. TUBO DA 1"1/2 M8
7	010119060000	FLANGED NUT M6 DIN 6923 Zn	4	DADO FLANGIATO M6 DIN 6923 Zn
8	010303410000	T FITTING 1"1/2 - 1"1/2 - 3/4" Zn F	1	RACCORDO A "T" 1"1/2 - 1"1/2 - 3/4" Zn F
9	010301150200	FF 1"1/2 BALL VALVE WITH EXHAUST FIG	1	VALVOLA A SFERA FF 1"1/2 CON SCARICO FIG
10	61101001	ELBOW A4 MF 1"1/2 GAS UNI 5194-70 ZINC	1	GOMITO A4 MF 1"1/2 GAS UNI 5194-70 ZINCA
11	61700500	NIPPLE N8 MM 3/4" GAS GALVANIZED UNI 5208-70	1	NIPPLO N8 MM 3/4" GAS ZINC. UNI 5208-70
12	010301020300	3/4" FF BALL VALVE FIG. 171/A	1	VALVOLA A SFERA FF DA 3/4" FIG. 171/A
13	010303940000	EXPRESS MALE BRASS 3/4 BAYONET ATTACHMENT	1	ATT.BAIONETTA 3/4 OTTONE MASCHIO EXPRESS
14	24701000	BLOKMAS HOSE CLAMP D=56-59 4R2	2	FASCETTA STRINGITUBO BLOKMAS D=56-59 4R2
15	010217000000	RUBBER HOSE DI=48 DE=57 MONTREAL/10 TYPE	8	TUBO GOMMA DI=48 DE=57 TIPO MONTREAL/10

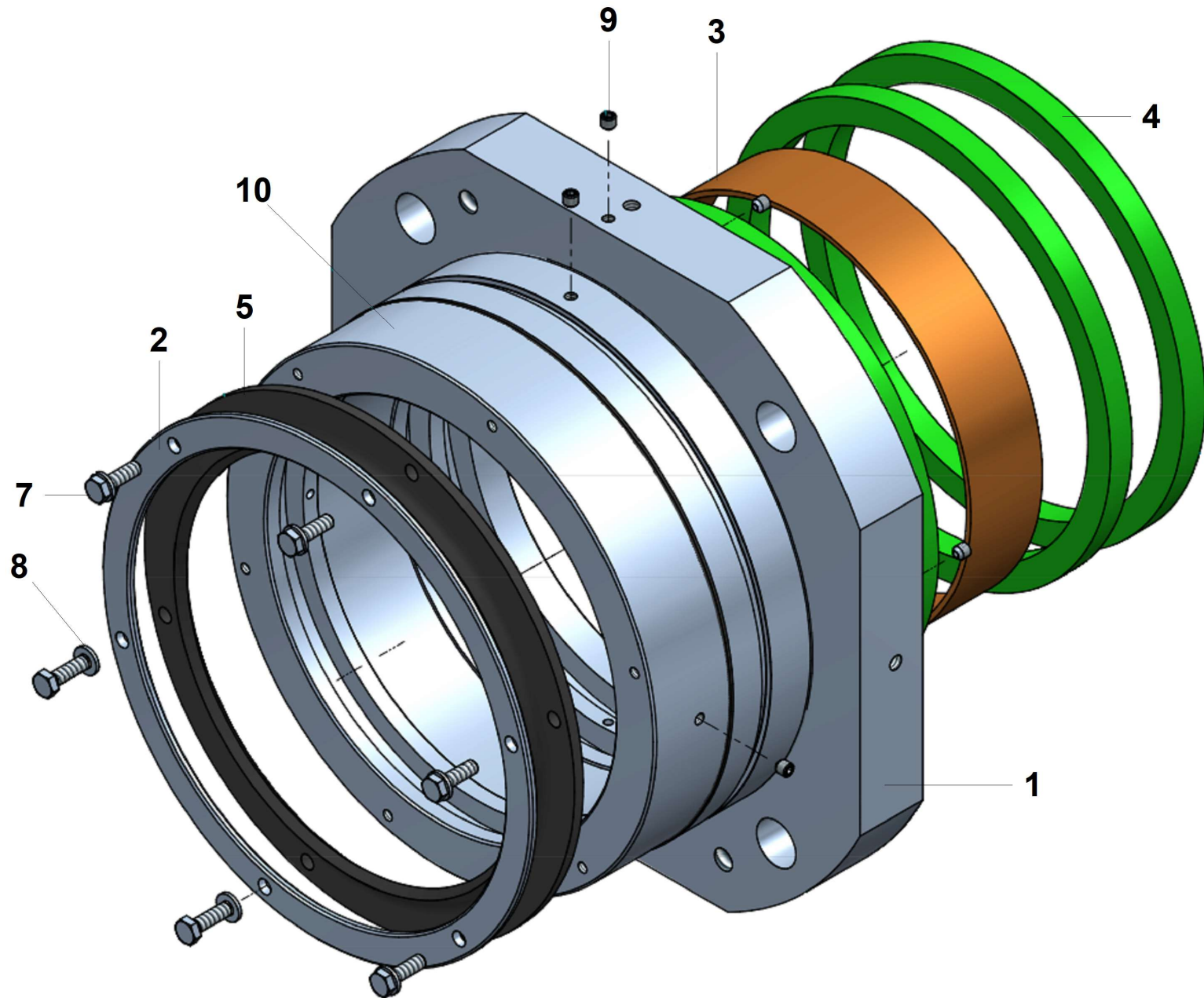
CARTERATURA BOOSTER STAGE 5



CARTERATURA BOOSTER STAGE 5

		GB		I
Rif.	Cod.	Description	N.	Descrizione
1	0608010002	ASS. MONT. BOOSTER FIXED COVER	1	ASS. MONT. CARTERATURA FISSA BOOSTER
2	0608010010	ASS. MONT. STAGE 5 BOOSTER BONNET	1	ASS. MONT. COFANO BOOSTER STAGE 5
3	0308010012	BOOSTER GAS SPRING FOOT SUPPORT	2	SUPP.PIEDE MOLLA A GAS BOOSTER
4	0108010011	GAS SPRING L=302/500 - F=2000N	2	MOLLA A GAS L=302/500 - F=2000N
5	0208010049	LAM.SP. 4 BONNET SAFETY LATCH	1	LAM.SP. 4 FERMO SICUREZZA COFANO
6	0608010015	ASS. MONT. RAIN COVER FOR MUFFLER AND C	1	ASS. MONT. SUPP.PARAPIOGGIA MARMITTA E C
7	0408009010	BOOSTER 15/45 CONTROL PANEL	1	PANNELLO COMANDI BOOSTER 15/45
8	0608010060	ASS. MONT. BOOSTER PANEL PROTECTION	1	ASS. MONT. PROTEZIONE PANNELLO BOOSTER
9	0208010044	BOOSTER BONNET CLOSURE FLANGE	1	FLANGIA CHIUSURA COFANO BOOSTER
10	18601004	HEX NUT NORMAL M8 6S FEZN8C1A	2	DADO ESAG. NORMALE M8 6S FEZN8C1A
11	68700901	BEVELLED WASHER 8.4X16 UNI 6592-69 R40	2	ROSETTA BISELLATA 8,4X16 UNI 6592-69 R40
12	010135083200	WIDE FLAT WASHER 8.4X32X2.5 ISO 7093-	2	ROSETTA PIANA LARGA 8.4X32X2.5 ISO 7093-
13	95002470	CLAMP 50-70	1	VITE TE TF M8X70 UNI 5739-65 CLASSE 8.8
14	68700860	BEVELLED WASHER 6.4X12.5 UNI 6592-69 R	3	ROSETTA BISELLATA 6,4X12,5 UNI 6592-69 R
15	95000905	TE SCREW TF M6X16 UNI 5739-65 CL.8.8 FEZN	3	VITE TE TF M6X16 UNI 5739-65 CL.8.8 FEZN

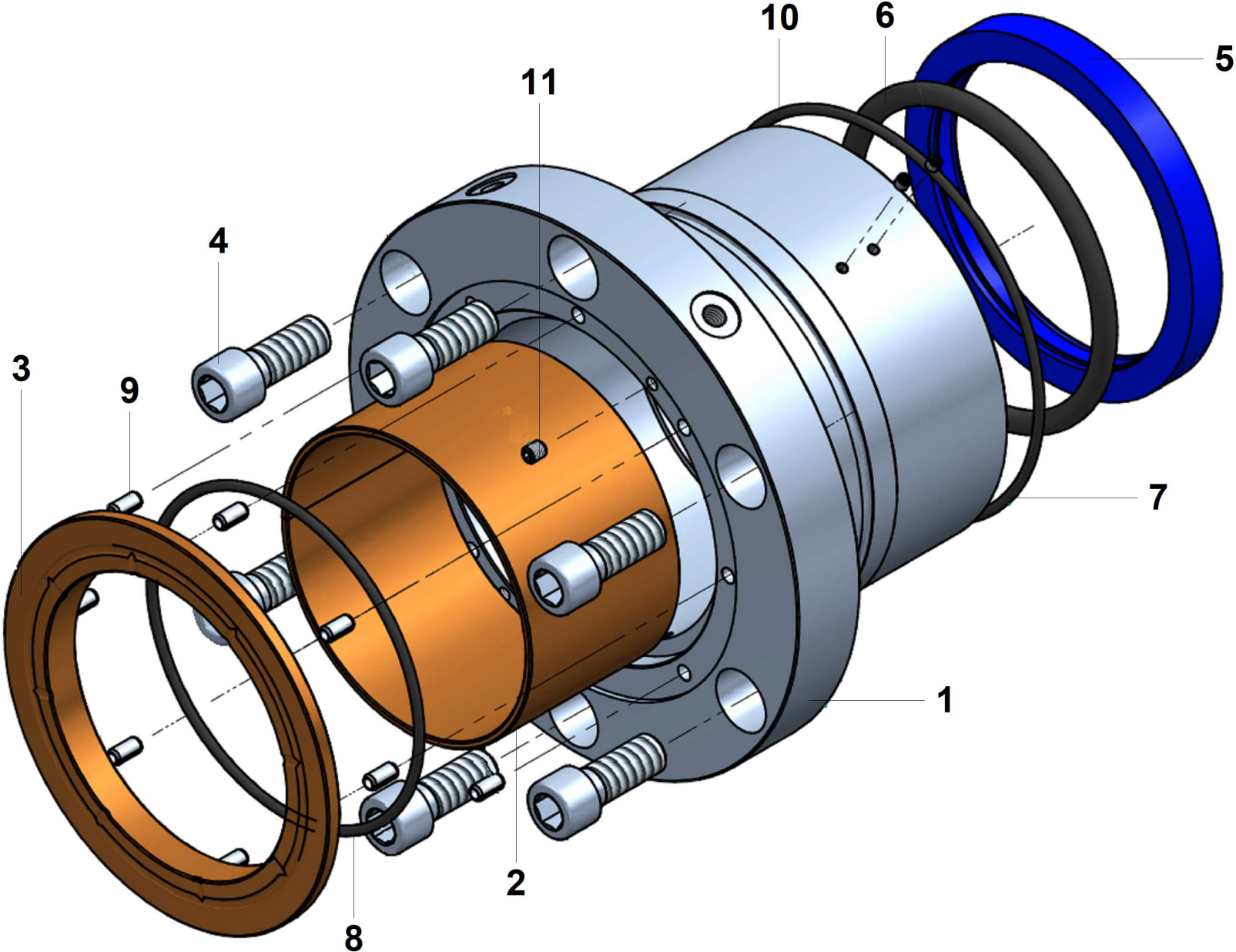
OUTPUT SIDE SUPPORT



OUTPUT SIDE SUPPORT

		GB		I
Rif.	Cod.	Description	N.	Descrizione
1	0208001004	FRONT SUPPORT OF S-VALVE	1	SUPP.ANTERIORE VALVOLA A S
2	0208001008	RUBBER AN. TIGHTENING FLANGE	1	FLANGIA SERRAGGIO AN.GOMMA
3	010141030500	BUSHING PM 190 40 SY (GLACIER)	1	BOCCOLA PM 190 40 SY (GLACIER)
4	010965010310	ROD SEAL 190/215X12	3	GUAR.PER STELO 190/215X12
5	0208001009	RUBBER AN. TH.=5	1	AN.IN GOMMA SP=5
7	95001001	TE SCREW TF M6X20 UNI 5739-65 CL.8.8 FEZN	6	VITE TE TF M6X20 UNI 5739-65 CL.8.8 FEZN
8	68700860	BEVELLED WASHER 6.4X12.5 UNI 6592-69 R	6	ROSETTA BISELLATA 6,4X12,5 UNI 6592-69 R
9	97400645	STEI SCREW WITH TIP M6X6 UNI 5927-67 12.9	9	VITE STEI C/PUNTA M6X6 UNI 5927-67 12.9
10	02006350	AN.OR 4925 NB70 234.5X3.53	1	AN.OR 4925 NB70 234.5X3.53

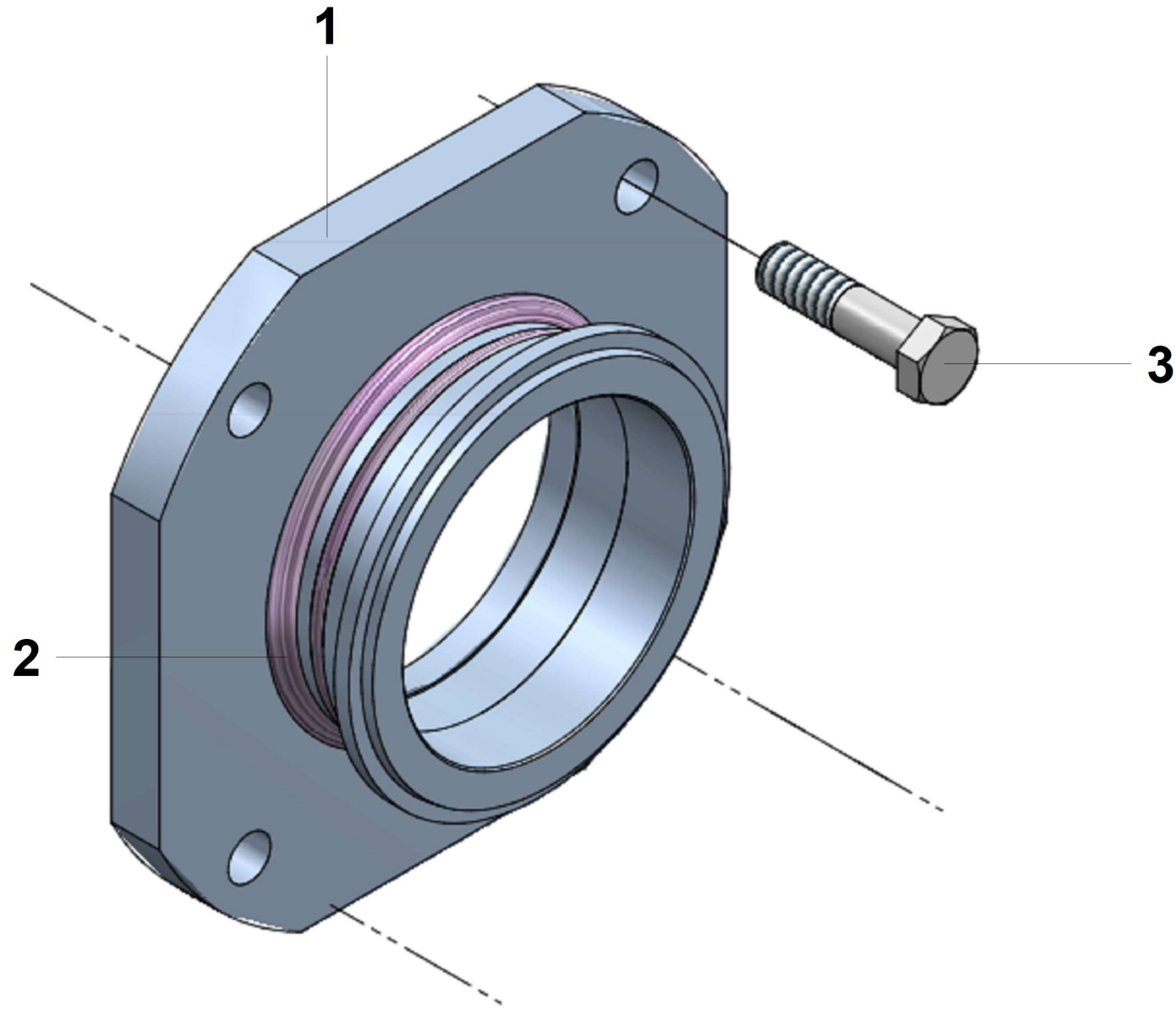
S-SHAPED VALVE SHAFT SUPPORT



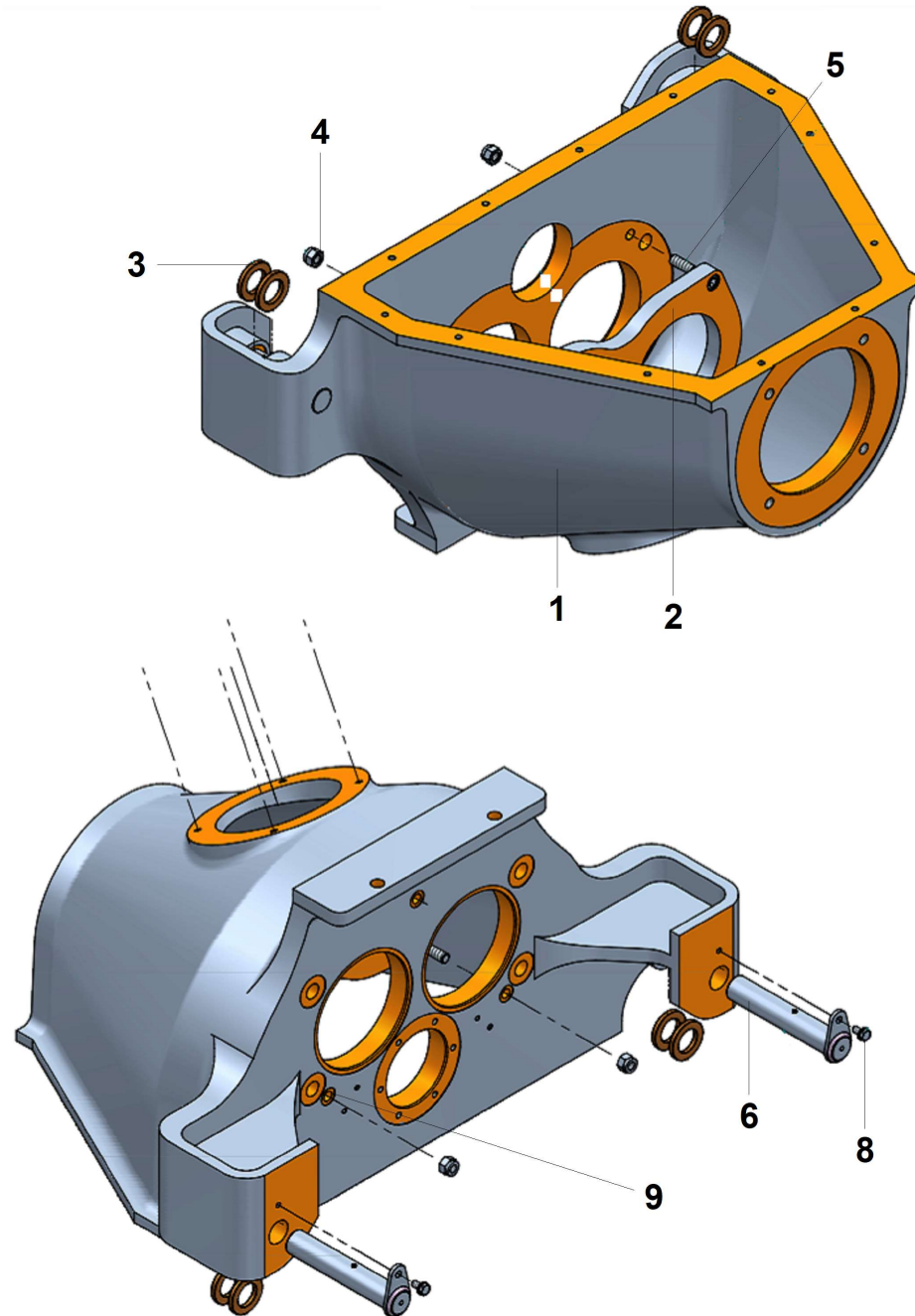
S-SHAPED VALVE SHAFT SUPPORT

		GB		I
Rif.	Cod.	Description	N.	Descrizione
1	0208001006	L-VALVE SHAFT SUPPORT	1	SUPP.ALBERO VALVOLA A S
2	010141030100	BUSHING PM 9560 SY (GLACIER) (GLACIER)	1	BOCCOLA PM 9560 SY (GLACIER) (GLACIER)
3	02080001010	PRESSURE BUSHING ON SHAFT SUPPORT	1	BRONZINA REGGISPINTA SU SUPPORTO ALBERO
4	94704800	SCREW TCEI TF M12X30 UNI 5931 CLASS 8.8	6	VITE TCEI TF M12X30 UNI 5931 CLASSE 8.8
5	010965010000	GUAR.POLYPAC MU/P 95/115X12 GUARN.NI 300	1	GUAR.POLYPAC MU/P 95/115X12 GUARN.NI 300
6	010965010100	GUAR.O-RING D.INT 7 x 95 SIMIRIT 447260	1	GUAR.O-RING D.INT 7 x 95 SIMIRIT 447260
7	010965010200	O-RING GUARANTEE 3X124	1	GUAR.O-RING 3X124
8	010965012200	O-RING GUARANTEE 3X104	1	GUAR.O-RING 3X104
9	76600570	ELASTIC PIN 5X10 UNI 6873-71 (TYPE PE	8	SPINA ELASTICA 5X10 UNI 6873-71 (TIPO PE
10	97500555	STEI SCREW WITHOUT TIP M4X4 UNI 5923-67 12.9	6	VITE STEI S/PUNTA M4X4 UNI 5923-67 12.9
11	97500585	STEI SCREW WITHOUT TIP M5 X 6 UNI 5923-67 12.9	2	VITE STEI S/PUNTA M5 X 6 UNI 5923-67 12.9

OUTLET FLANGE DN 150



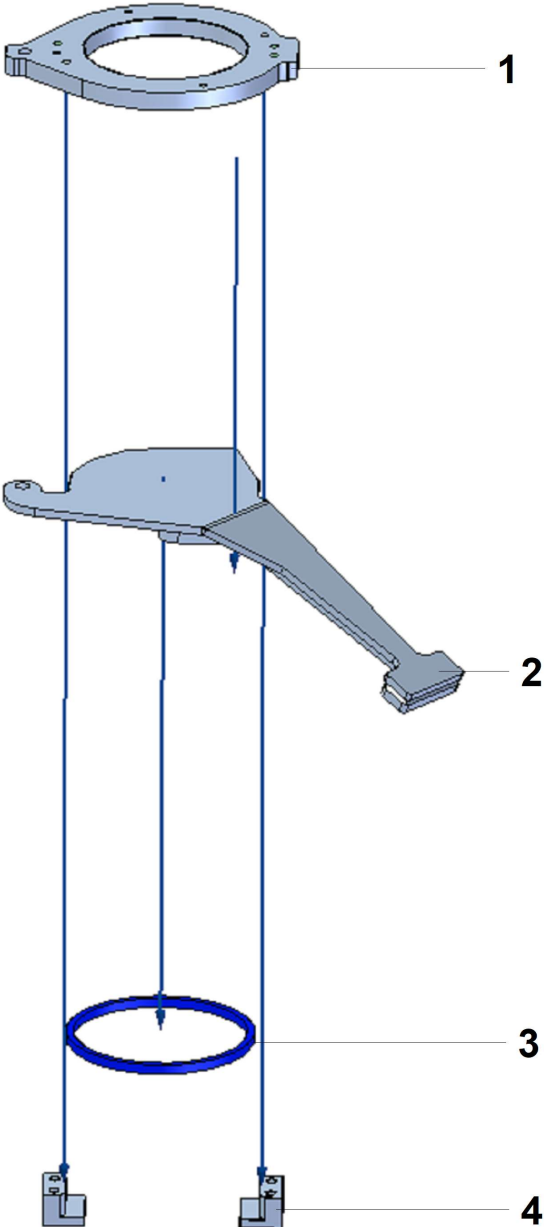
PUMP CONVEYING CHAMBER



PUMP CONVEYING CHAMBER

		GB		I
Rif.	Cod.	Description	N.	Descrizione
1	0208002001	CONVEYING CHAMBER BP3045 WASH+PAINT	2	CAMERA DI CONVOGLIAMENTO BP3045 LAV+VERN
2	0208002003	MACHINED WEAR PLATE	2	PIASTRA DI USURA LAVORATA
3	0208004007	BRONZE SPRING DI=40	2	RASAMENTO IN BRONZO DI=40
4	18902801	SELF-LOCKING NORMAL HEX NUT M16 UNI 7	3	DADO ESAG.NORMALE AUTOFRENANTE M16 UNI 7
5	94706700	SCREW TCEI FP M16X70 UNI 5931 CLASS 8.8	3	VITE TCEI FP M16X70 UNI 5931 CLASSE 8.8
6	0308002001	EXCHANGE CYLINDER FIXING PIN £	4	PERNO FISSAGGIO CILINDRO DI SCAMBIO £
8	95002801	TE SCREW TF M10X20 UNI 5739-65 CLASS 8.8	1	VITE TE TF M10X20 UNI 5739-65 CLASSE 8.8
9	68701001	BEVELLED WASHER 10.5X21 UNI 6592-69 R4	1	ROSETTA BISELLATA 10,5X21 UNI 6592-69 R4

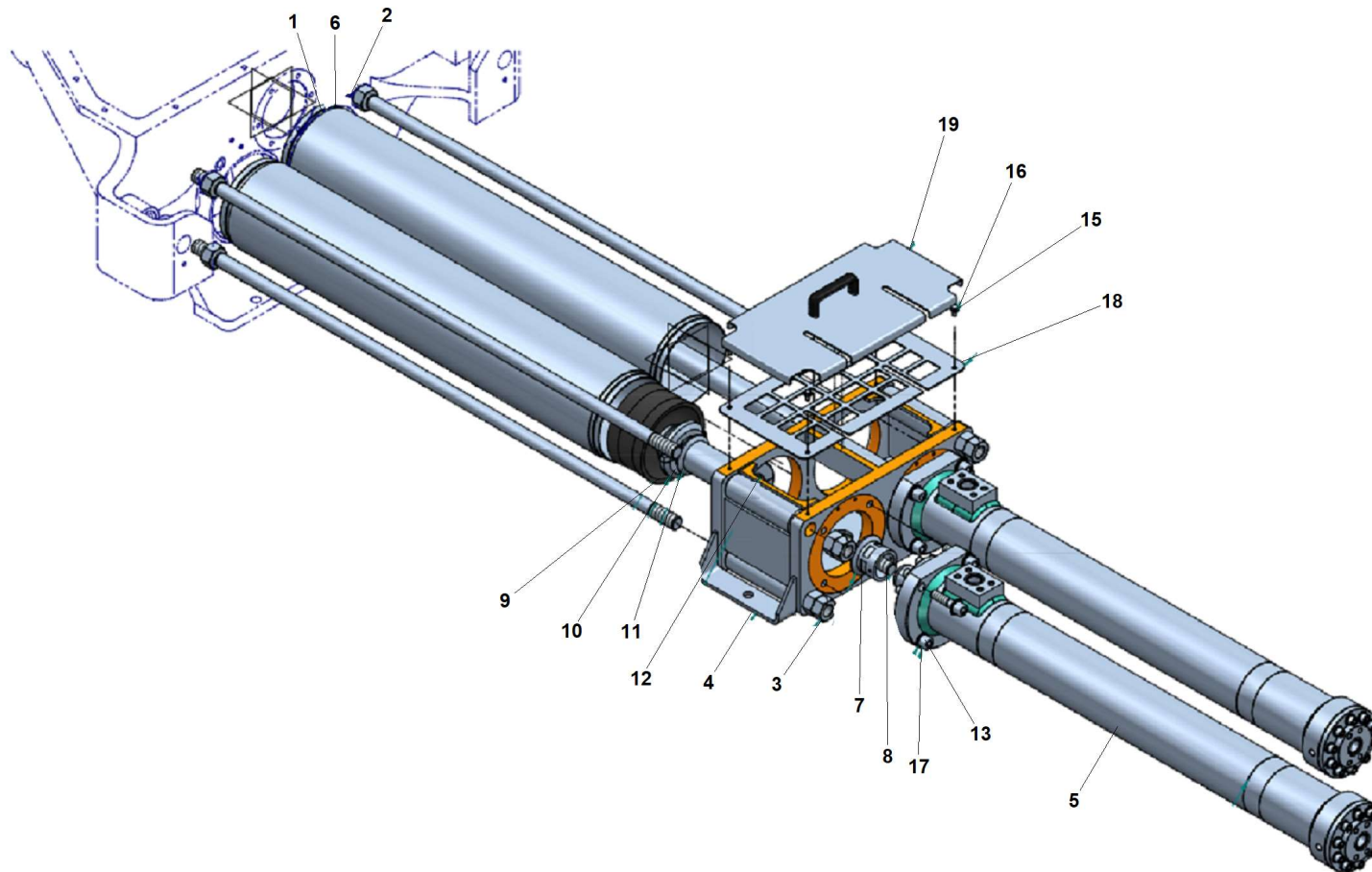
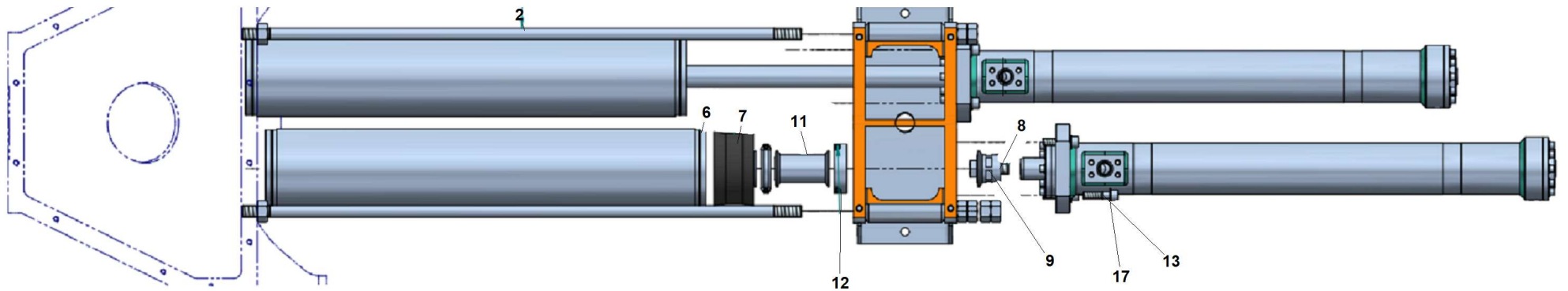
LOWER PUMP CONVEYOR CLOSURE



LOWER PUMP CONVEYOR CLOSURE

		GB		I
Rif.	Cod.	Description	N.	Descrizione
1	0208002007	CONVEYOR CHAMBER EXHAUST FLANGE	1	FLANGIA SCARICO CAMERA DI CONVOGLIAMENTO
2	026900021101	EXHAUST GASKET SP=12 PU 80/90 SHTRAMOGG	1	GUAR.DI SCARICO SP=12 PU 80/90 SHTRAMOGG
3	0208002009	BOOSTER45-50 MACHINED BLOCK	2	BLOCCHETTO LAVORATO BOOSTER45-50
4	0308002008	LOWER CLOSURE UNLOADING CONVO CHAMBER	1	CHIUSURA INF. DI SCARICO CAMERA DI CONVO

PUMPING GROUP



PUMPING GROUP

		GB		I
Rif.	Cod.	Description	N.	Descrizione
1	0208003001	CHROME DN 180 BARREL	2	CANNA DN 180 CROMATA
2	0208003002	TIE ROD M30 L=1410	4	TIRANTE M30 L=1410
3	18606000	NORMAL HEX NUT M30X3.5 UNI 5588-	12	DADO ESAGONALE NORMALE M30X3.5 UNI 5588-
4	0308003010	LUBRICATION PAN IN CARPENTER	1	VASCHETTA DI LUBRIFICAZIONE IN CARPENTER
5	0108007002	PUMPING CYLINDER AL=100 - ST=55 - STROKE	2	CILINDRO POMPANTE AL=100 - ST=55 - CORSA
6	010904010300	GUAR.O-RING 3X189	4	GUAR.O-RING 3X189
7	0208003007	BUSH FOR FIXING ON THE CYLINDER	2	BOCCOLA FISSAGGIO SUL CILINDRO
8	95007601	TE SCREW TF M27X2X80 UNI 5739-65 CLAS. 8.	2	VITE TE TF M27X2X80 UNI 5739-65 CLAS. 8.
9	0208003005	BUFFER DN 180	2	TAMPONE DN 180
10	0608003020	ASS. MONT. BUFFER FIXING SEMI-FLANGE	2	ASS. MONT. SEMIFLANGE FISSAGGIO TAMPONE
11	0208003008	BUFFER DIST	2	DIST.TAMPONE
12	0608003025	ASS. MONT. SENSOR SIDE HALF-FLANGE	2	ASS. MONT. SEMIFLANGE LATO SENSORE
13	010104181200	SCREW TCEI M18X70 UNI 5931 CLASS 12.9	8	VITE TCEI M18X70 UNI 5931 CLASSE 12.9
15	68700901	BEVELLED WASHER 8.4X16 UNI 6592-69 R40	4	ROSETTA BISELLATA 8,4X16 UNI 6592-69 R40
16	95001501	TE SCREW TF M8X16 UNI 5739-65 CLASS 8.8	4	VITE TE TF M8X16 UNI 5739-65 CLASSE 8.8
17	68701450	BEVELLED WASHER 19X34 UNI 6592-69 R40	8	ROSETTA BISELLATA 19X34 UNI 6592-69 R40
18	0208003027	LAM.SP. 3 LUBRICATION PAN COVER	1	LAM.SP. 3 COPERTURA VASCHETTA LUBRIFICAZ
19	0608003028	ASS. MONT. TRAY COVER	1	ASS. MONT. COPERTURA VASCHETTA



Le Officine Riunite - Udine S.p.A.

Via Santa Caterina 35, Balsaldella di Campoformido - 33030 (Ud) - Italy - www.imergroup.com